

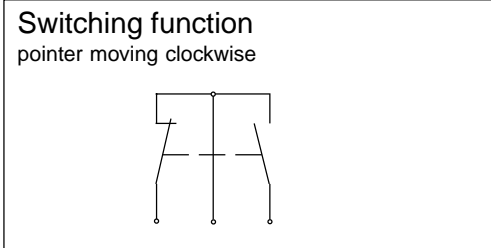
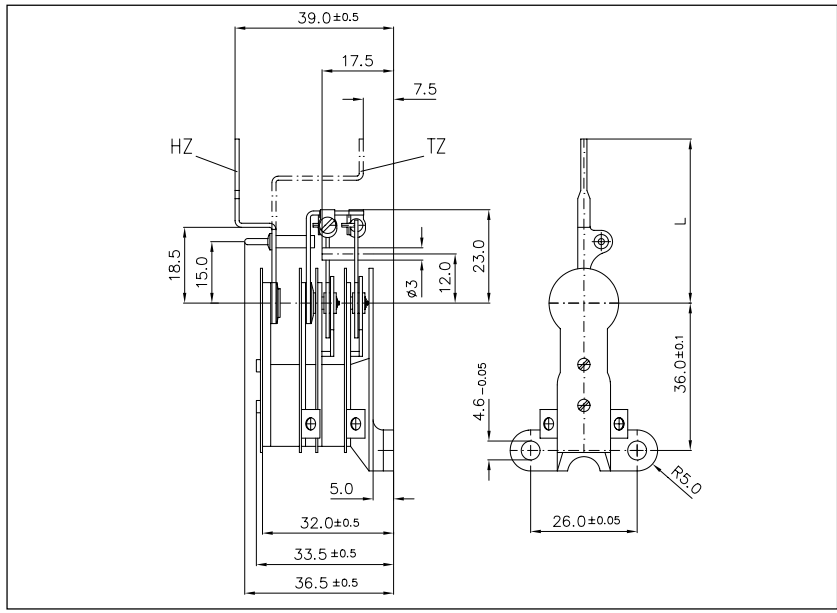
Limit value switches Low-action and snap-action contacts single change-over contact (SPDT)	DN 100
---	-----------------------------

Type code

Type S- 3
Low-action contact
without magnet holder

Type Kombi S- 3
Low-action contact
with magnet holder

Type Kombi M- 3
Snap-action contact
with screwed-in magnets



Mode of operation
Single change-over contacts (SPDT) are double contacts providing 2 switching functions, but are only equipped with 1 set pointer and 1 supporting arm. During the transition from one switching position to the other, the first contact is opened clockwise, and the second contact is then closed with a time lag.

Required order information

Nominal size	DN 100
Type	re. type code
Set pointer	HZ (contact fitted below the dial) TZ (contact fitted on the dial)
Pointer length "L"	40 mm for DN 100 66 mm for DN 100-160
Connection	solder or screw terminal (brass nickel-plated) plug-in terminal (stainless steel)
Hair springs	normal light strong
Contact material	silver nickel, gold-plated silver palladium silver palladium, gold-plated gold silver platinum iridium
Contact base	base B - plastic (36 mm) base A - plastic (25 mm)
Special executions available on request	

Additional information	Page
Description / technical data	
Low-action contacts _____	K 02-00.010
Snap-action contacts _____	K 02-00.020
Load table _____	K 14-10.010
Circuit diagrams / self-adhesive labels _____	K 14-10.020
Terminal configuration _____	K 14-10.031
Fitting, adjusting, dial mounting _____	K 14-10.040
Limit value switches immersed in oil _____	K 14-20.020
K-group	
Accessories _____	K 13

Recommended amplifiers

If our **MSR 010** type switching amplifier is used, a single contact may take the place of the more expensive changer. The **MSR 010** already has a **potential free changer** in the output.

(re. catalogue group K 11)

10.1994 Errors excepted. Subject to alteration without notice.