

**Limit value switches**  
**Inductive contacts**  
**quadruple, with slot sensor SJ 2**

**DN**

**160**



**Type code**

**Type**

Inductive contact

I- I-

Available switching functions  
 pointer moving clockwise

Make-contact		1
Break-contact		2

- 1111
- 1112
- 1121
- 1122
- 1211
- 1212
- 1221
- 1222
- 2111
- 2112
- 2121
- 2122
- 2211
- 2212
- 2221
- 2222

**Attention**

With quadruple inductive contacts DN 160 equipped with a SJ 2 slot sensor, only 3 contacts (set pointers) may be adjusted to switch simultaneously. The first or fourth connected contact is, in fact, connected at a distance of 15° to the right or left.

When an order is placed, marking of the connected contact is absolutely required. It will be indicated by a full stop in the type code as per this example:

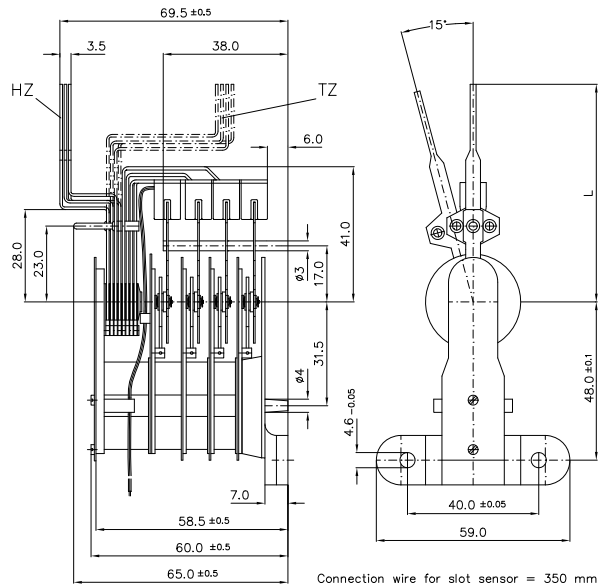
I - 1.111 (first contact connected at the left)

I - 111.1 (fourth contact connected at the right)

**Recommended amplifiers**

**2 x WE 77/Ex2**  **intrinsically safe**  
 (re. catalogue group K 12)

**2 x MSR 020-I**, not intrinsically safe  
 (re. catalogue group K 11)



**Required order information**

Nominal size	DN 160
Type	re. type code
Set pointer	HZ (contact fitted below the dial) TZ (contact fitted on the dial)
Pointer length "L"	66 mm for DN 160 105 mm for DN 160-250
Connection (re. page K 14-10.030)	connection wire (0.06 mm <sup>2</sup> ) 350 mm long
Hair springs (re. page K 14-20.011)	normal light
Slot sensor (re. page K 03-00.030) (re. page K 03-00.040)	SJ 2 N SJ 2 SN SJ 2 S1N (reversed switching behavior)
Contact base	plastic metal

Special executions available on request

**Additional information**

Description / technical data	Page
Inductive contacts _____	K 03-00.010
Explosion protection (general) _____	K 14-30.010
Fail safe technology _____	K 14-30.020
Inductive contacts with SVA switching amplifiers (not intrinsically safe) _____	K 03-00.020
Circuit diagrams / self-adhesive labels _____	K 14-10.020
Terminal configuration _____	K 14-10.035
Fitting, adjusting, dial mounting _____	K 14-10.040
Limit value switches immersed in oil _____	K 14-20.020

**K-group**

Accessories \_\_\_\_\_ K 13