

Limit value switches

Electronic contacts
quadruple

DN

100

Type code

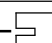
Type


Electronic contact

E-

Available switching functions

pointer moving clockwise

Make-contact  1

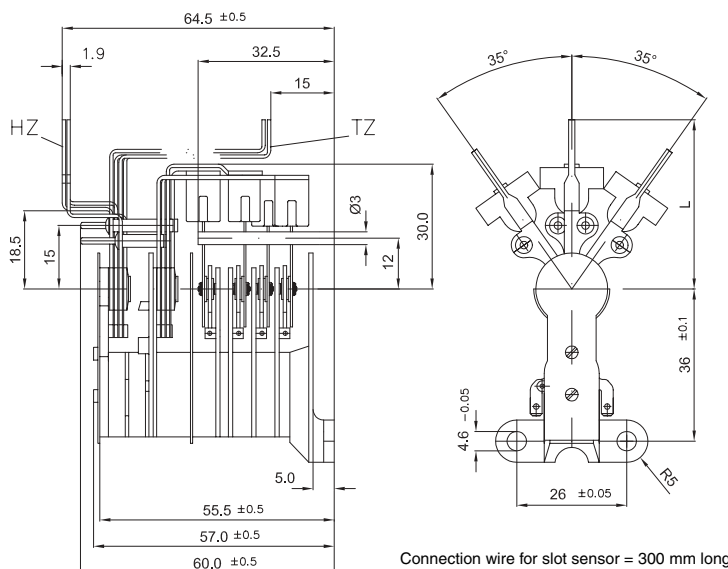
Break-contact  2

- 1111
- 1112
- 1121
- 1122
- 1211
- 1212
- 1221
- 1222
- 2111
- 2112
- 2121
- 2122
- 2211
- 2212
- 2221
- 2222

Attention

With quadruple electronic contacts DN 100, only the two centre set pointers (second and third contact) may be adjusted to switch simultaneously.

Contacts 1 and 4 are connected at a distance of 35° each to the left and right.



Required order information

Nominal size	DN 100
Type	re. type code
Set pointer	HZ (contact fitted below the dial) TZ (contact fitted on the dial)
Pointer length "L"	40 mm for DN 100 66 mm for DN 100-160
Connection (re. page K 14-10.030)	connection wire (0.08 mm ²) 300 mm long
Hair springs (re. page K 14-20.011)	normal light
Slot sensor	Si 2-K08-AP6 (3-wire) (re. page K 04-00.030) Si 2-K08-AG6 (2-wire) (re. page K 04-00.035)
Contact base (re. page K 14-10.040)	base B - plastic (36 mm) base A - plastic (25 mm)

Special executions available on request

Additional information

Description / technical data	Page
Electronic contacts _____	K 04-00.010
Circuit diagrams / self-adhesive labels _____	K 14-10.020
Terminal configuration _____	K 14-10.036
Fitting, adjusting, dial mounting _____	K 14-10.040
Limit value switches immersed in oil _____	K 14-20.020

K-group

Accessories _____ K 13