

Limit value switches
Pneumatic contacts
double

DN

100

Type code

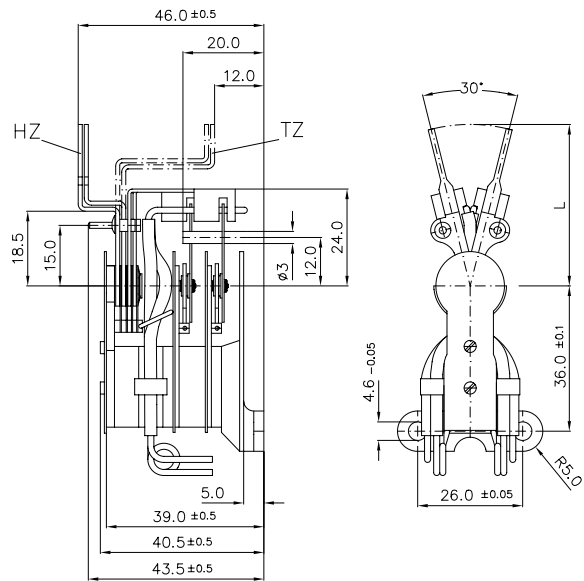
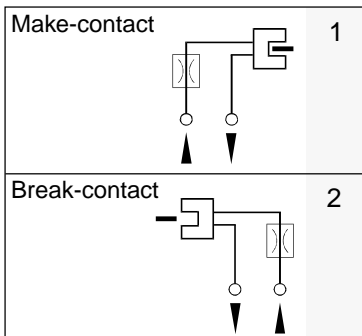
Type

Pneumatic contact

P- 21

Switching functions

pointer moving clockwise



Required order information

Nominal size	DN 100
Type	re. type code
Set pointer	HZ (contact fitted below the dial) TZ (contact fitted on the dial)
Pointer length "L"	40 mm for DN 100 66 mm for DN 100-160
Connection	hose connection (brass tube Ø 1.5)
Hair springs (re. page K 14-20.011)	normal light
Slot sensor (re. page K 05-00.020)	PN 100
Contact base (re. page K 14-10.040)	base B - plastic (36 mm) base A - plastic (25 mm)

Special executions available on request

Additional information

Page

Description/technical data	
Pneumatic - contacts	K 05-00.010
Circuit diagrams/self-adhesive labels	K 14-10.025
Fitting, adjusting, dial mounting	K 14-10.040

Recommended amplifiers

Binary converter P/P

(re. catalogue page K 05-00.030)

K-group

Accessories _____ K 13

06.1995 Errors excepted. Subject to alteration without notice.