

Limit value switches in a modular system standard, with PG 7 cable gland Low-action and snap-action contact single	DN 100
--	-----------------------------

Type code

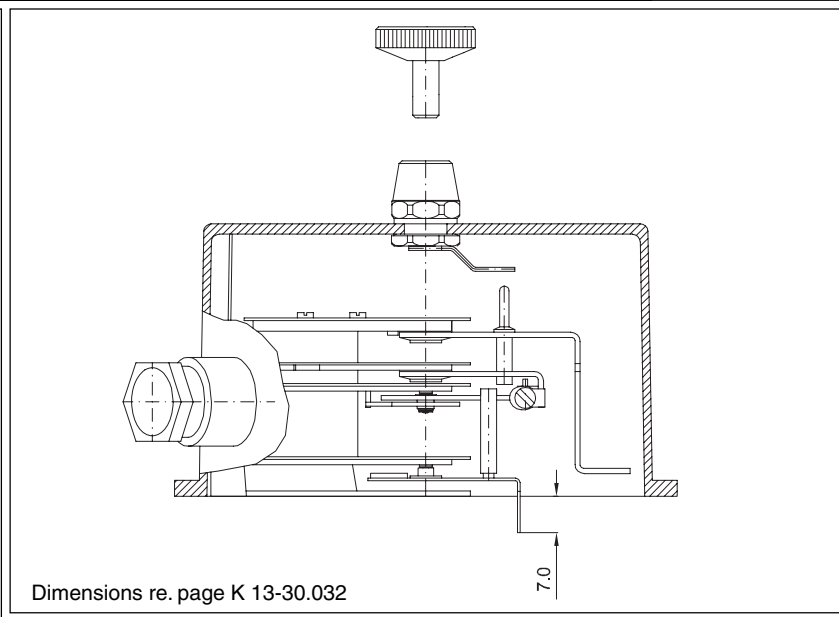
Type S-
Low-action contact without magnet holder

Type Kombi S-
Low-action contact with magnet holder

Type Kombi M-
Snap-action contact with screwed-in magnets

Available switching functions 1
pointer moving clockwise 2

Make-contact	1
Break-contact	2



Required order information															
Nominal size	DN 100														
Type	re. type code														
Set pointer	TZ (contact fixed in the hood)														
Execution	modular system standard														
Connection (re. page K 14-10.030)	solder or plug terminal (German silver)														
Hair spring (re. page K 14-20.010)	normal														
	light														
	strong														
Contact material (re. page K 02-00.030)	silver nickel, gold-plated														
	silver palladium														
	silver palladium, gold-plated														
	gold silver														
	platinum iridium														
Hood diameter	Art. No.: (re. schedule)														
	<table border="1" style="width: 100%; text-align: center;"> <thead> <tr> <th>Ø</th> <th>Rim</th> <th>Art. No.</th> </tr> </thead> <tbody> <tr> <td>98.5</td> <td>3 mm</td> <td>1000336</td> </tr> <tr> <td>98.5</td> <td>4 mm</td> <td>1000337</td> </tr> <tr> <td>105.9</td> <td>3 mm</td> <td>1000338</td> </tr> <tr> <td>110.0</td> <td>3 mm</td> <td>1000339</td> </tr> </tbody> </table>	Ø	Rim	Art. No.	98.5	3 mm	1000336	98.5	4 mm	1000337	105.9	3 mm	1000338	110.0	3 mm
Ø	Rim	Art. No.													
98.5	3 mm	1000336													
98.5	4 mm	1000337													
105.9	3 mm	1000338													
110.0	3 mm	1000339													

Special executions available on request

Additional information	Page
Description / technical data	
General (modular system standard) _____	K 06-00.010
Low-action contacts _____	K 02-00.010
Snap-action contacts _____	K 02-00.020
Load table _____	K 14-10.010
Circuit diagrams / self-adhesive labels _____	K 14-10.020
Terminal configuration _____	K 14-10.031
Fitting, adjusting _____	K 14-10.040
Sealing and adapting rings _____	K 13-30.040
	K-group
Accessories _____	K 13
Limit value switches immersed in oil _____	K 07

Recommended amplifiers

MSR 010

(re. catalogue group K 11)

07.2006 Errors excepted. Subject to alteration without notice.