

<b>Limit value switches in a modular system standard, with PG 7 cable gland</b> Low-action and snap-action contact double	<b>DN</b>  <b>100</b>
--	-----------------------------

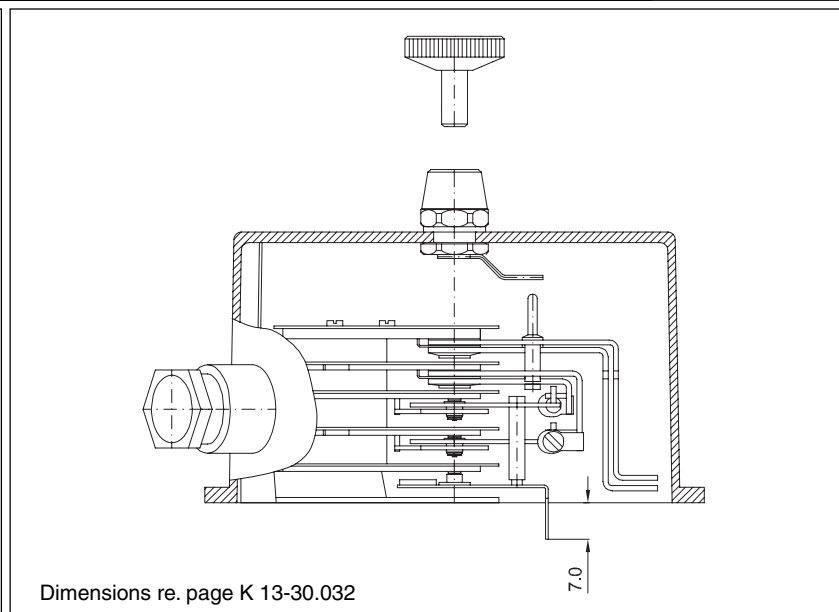
**Type code**

**Type** S-  
Low-action contact without magnet holder

**Type** Kombi S-  
Low-action contact with magnet holder

**Type** Kombi M-  
Snap-action contact with screwed-in magnets

Available switching functions	11
pointer moving clockwise	12
Make-contact	1
Break-contact	2



<b>Required order information</b>																
Nominal size	DN 100															
Type	re. type code															
Set pointer	TZ (contact fixed in the hood)															
Execution	modular system standard															
Connection (re. page K 14-10.030)	solder or plug terminal (German silver)															
Hair spring (re. page K 14-20.010)	normal light strong															
Contact material (re. page K 02-00.030)	silver nickel, gold-plated silver palladium silver palladium, gold-plated gold silver platinum iridium															
Hood diameter	Art. No.: (re. schedule)															
	<table border="1" style="width: 100%; text-align: center;"> <thead> <tr> <th>Ø</th> <th>Rim</th> <th>Art. No.</th> </tr> </thead> <tbody> <tr> <td>98.5</td> <td>3 mm</td> <td>1000336</td> </tr> <tr> <td>98.5</td> <td>4 mm</td> <td>1000337</td> </tr> <tr> <td>105.9</td> <td>3 mm</td> <td>1000338</td> </tr> <tr> <td>110.0</td> <td>3 mm</td> <td>1000339</td> </tr> </tbody> </table>	Ø	Rim	Art. No.	98.5	3 mm	1000336	98.5	4 mm	1000337	105.9	3 mm	1000338	110.0	3 mm	1000339
Ø	Rim	Art. No.														
98.5	3 mm	1000336														
98.5	4 mm	1000337														
105.9	3 mm	1000338														
110.0	3 mm	1000339														
Special executions available on request																

**Recommended amplifier**

**MSR 020**

**MSR 011** (Interval switching amplifier)  
(for S-21 or M-21 only)

(re. catalogue group K 11)

<b>Additional information</b>	<b>Page</b>
Description / technical data	
General (modular system standard) _____	K 06-00.010
Low-action contacts _____	K 02-00.010
Snap-action contacts _____	K 02-00.020
Load table _____	K 14-10.010
Circuit diagrams / self-adhesive labels _____	K 14-10.020
Terminal configuration _____	K 14-10.031
Fitting, adjusting _____	K 14-10.040
Sealing and adapting rings _____	K 13-30.040
	<b>K-group</b>
Accessories _____	K 13
Limit value switches immersed in oil _____	K 07

07.2006 Errors excepted. Subject to alteration without notice.