

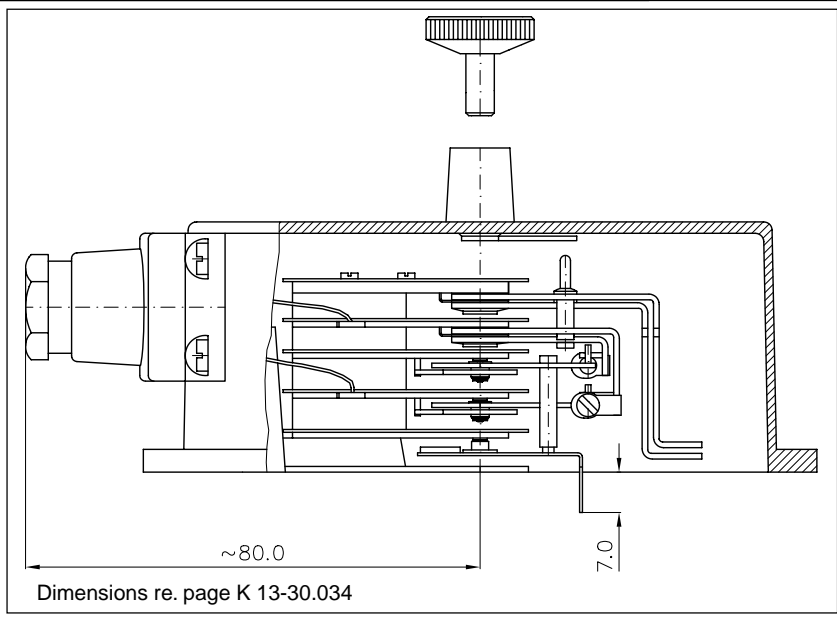
Limit value switches in a modular system oiltight, with integrated cable box Low-action and snap-action contact double	DN 4½"
---	-----------------------------

Type code

Type S-
Low-action contact
without magnet holder

Type Kombi S-
Low-action contact
with magnet holder

Type Kombi M-
Snap-action contact
with screwed-in magnets



Available switching functions	11
pointer moving clockwise	12
Make-contact	1
Break-contact	2
	21
	22

Required order information						
Nominal size	DN 4½"					
Type	re. type code					
Set pointer	TZ (contact fixed in the hood)					
Execution	modular system oiltight with integrated cable box					
Connection	screw terminal (brass nickel-plated)					
Hair spring (re. page K 14-20.010)	normal					
	light					
	strong					
Contact material (re. page K 02-00.030)	silver nickel, gold-plated					
	silver palladium					
	silver palladium, gold-plated					
	gold silver					
	platinum iridium					
Hood diameter	Art. No.: (re. schedule)					
	<table border="1" style="width: 100%; text-align: center;"> <tr> <th>Ø</th> <th>Rim</th> <th>Art. No.</th> </tr> <tr> <td>118.5</td> <td>4 mm</td> <td>1000346</td> </tr> </table>	Ø	Rim	Art. No.	118.5	4 mm
Ø	Rim	Art. No.				
118.5	4 mm	1000346				

Special executions available on request

Recommended amplifier

MSR 020

MSR 011 (Interval switching amplifier)
(for S-21 or M-21 only)

(re. catalogue group K 11)

Additional information	Page
Description / technical data	
General (modular system oiltight)	K 07-00.010
Low-action contacts	K 02-00.010
Snap-action contacts	K 02-00.020
Load table	K 14-10.010
Terminal configuration	K 07-00.035
Fitting, adjusting	K 14-10.040
Limit value switches immersed in oil	K 14-20.020
	K-group
Accessories	K 13

02.2001 Errors excepted. Subject to alteration without notice.