

Potentiometer for front mounting / dial surface mounting	DN 160
---	-------------------

Type code

Type F 25 Z 160

Type F 25 ZD 160

Type F 25 ZEB 160

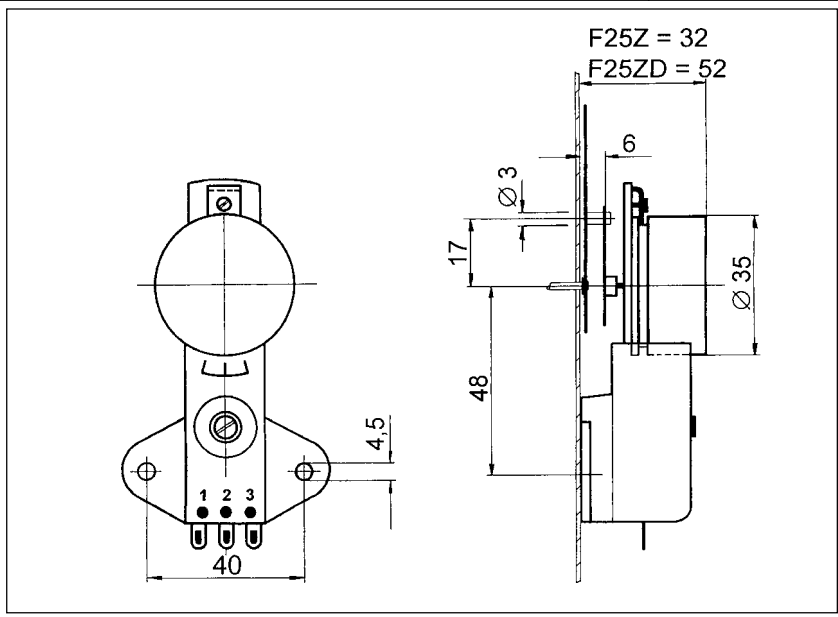
Type F 25 ZDEB 160

Explanation of symbol

F = Potentiometer
Z = Dial surface mounting
D = Double potentiometer
25 = 25 mm winding diameter
EB = with dropping resistors
resistances acc. to DIN 43822

Special executions against supplement

- Resistance tolerance $\pm 1.0\%$
- Mechanical angle of rotation not standard
- Electrical angle of rotation not standard
- Through-going axle
- Function wiring incl. short-circuit zones
- Resistance value of the dropping resistors does not comply with DIN 43822
- Special winding per order
- Oil resistant version
- Torque 0,001 to 0,002 Ncm
- Resistance > 5.000 Ω



Required order information

Type and art. no.	re. type code
Resistance in Ω	
Angle of rotation	
Tolerance	$\pm 3\%$ $\pm 1\%$ (for F 25 ZEB and ZDEB standard)

Order example

Type F 25 Z 160, 100 Ω , 270 $^\circ$, tol. $\pm 3\%$

or

Type F 25 ZEB 160, 50-30-50 Ω , 270 $^\circ$, tol. $\pm 1\%$

(i. e. Dropping resistor R1 = 50 Ω
Variable resistor = 30 Ω
Dropping resistor R2 = 50 Ω)

Specification of application re. page K 09-00.010 R

Additional information

Description / technical data	Page
Potentiometer _____	K 09-00.010
Fitting instructions and wiring examples _____	K 09-00.020

Scope of delivery

1 Potentiometer
1 Coupling fork

Accessories

for potentiometers _____ K 09-30.010
Instrument pointer _____ K 13-40.010

01.2007 Errors excepted. Subject to alteration without notice.