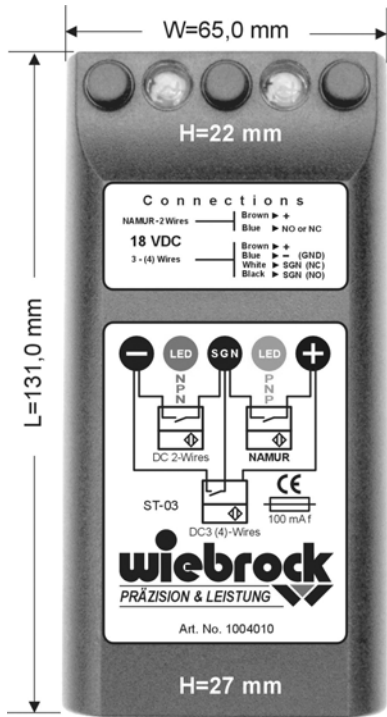


Sensor Tester ST-03



ST-03

Art. No.: 1004010

The sensor tester enables a rapid check to be made of the switching function of direct voltage sensors:

- NAMUR (DIN EN 60947-5-6)
- 2- and 3-wire DC

The sensors are connected to the contact terminals of the tester in accordance with the adjacent diagram. Depending on the output stage (pnp/npn) and switching function (N.O./N.C.), on actuation of the proximity switch, the left, red LED (npn) or right, green LED (pnp) are illuminated, as appropriate, accompanied by an acoustic signal.

Low-action and snap-action contacts, reed-contacts or movements with micro-switch can be connected and tested as well.

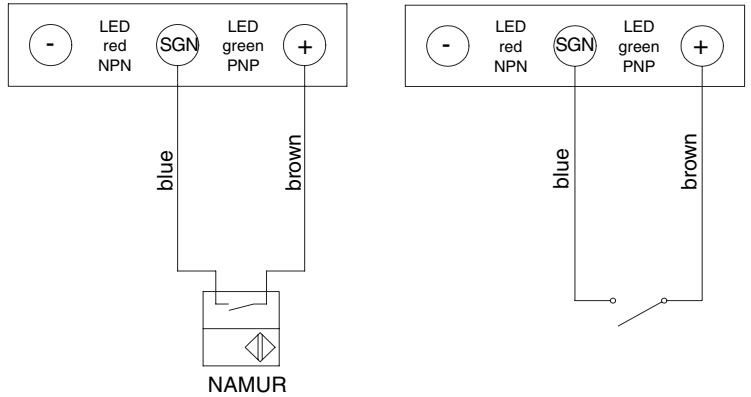
Tester **fault indications** can result from the following:

1. Incorrect sensor connected (e.g. alternating voltage), sensor defect.
2. Sensor is incorrectly connected.
3. The fine-wire fuse in the tester has operated.
4. The batteries have insufficient charge.

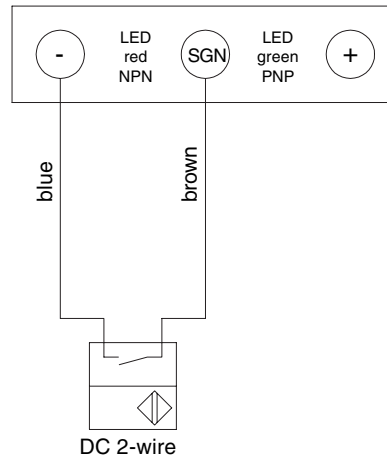
Check the type designation and connection diagram on the sensor.

To check or exchange the fuse (100 mA f) or the batteries (2 x 9 V E-Block), remove the two screws on the back of the tester.

Inductive-contacts with 2-wire NAMUR-sensor Low-action and snap-action contacts Reed contacts Movements with micro-switch



Electronic contact with 2-wire sensor



Electronic contact with 3-wire sensor

